

Installation instructions for the

ECR Sure Light 1000

(Power and Emergency Backup Power for the 24 V Lyra Light kit for elevators from ECR)

1. Determine a suitable location on top of the elevator cab and secure the "ECR Sure Light 1000".



ECR Sure Light 1000

optional mounting bracket

2. Open the box by turning the locking mechanism clockwise with the key provided or a flat screwdriver.



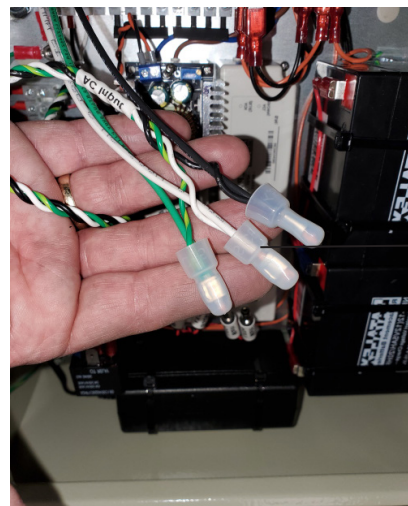
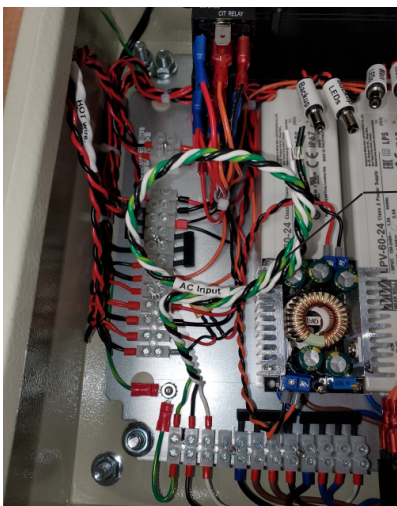
Locking mechanism

3. From the front of the box bring in a Black (hot 110 V), White (neutral) and a Green (ground) wire combination to provide power for the unit plus a Black and a Red wire (no power) for the lighting ON/Off switch in the COP.



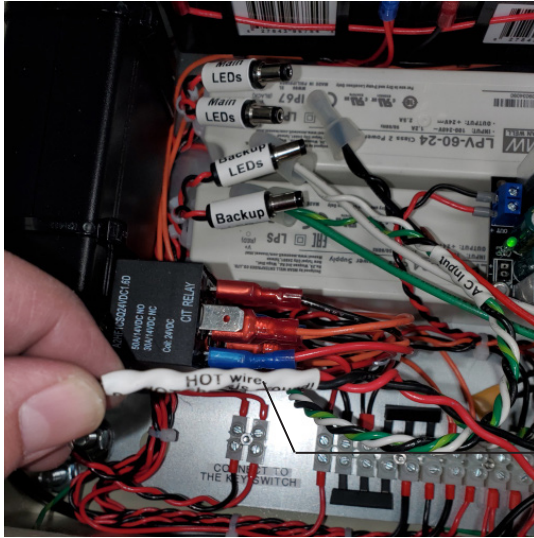
4. In the Box, locate the Black , White, and Green wire combination labeled as "AC Input"

Hook up the AC to the unit.

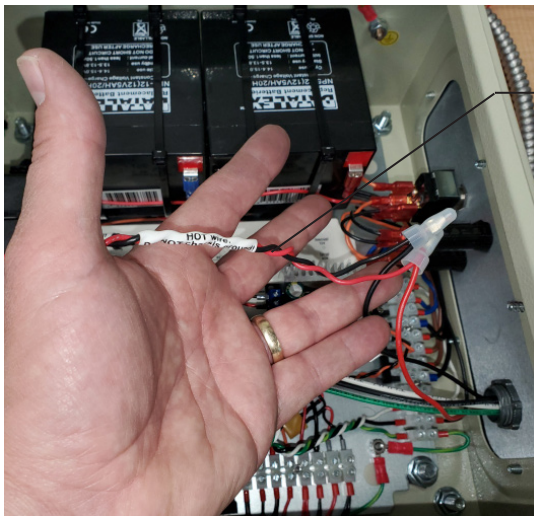


5. Connect the Black and Red wire to the Black Red combo labeled "Hot wire"

Note that this is simply a relay to the on off switch in the COP there should not be any AC connected to this circuit



black and red combination labelled "HOT"



Connect black and red to switch in C.O.P (there should be no AC connected to this circuit)

6. Connecting the 24V 9 Watt LED disk lights

-bring up the lighting harness from the interior of the cab to the input side of the box.



Light harness from the interior of the cab

- a) Lighting Option 1: (typical for most applications)
-for ceilings with 6 lights with back up for 3 lights .

Connect the barrel connectors as shown in the schematic below

- b) Lighting option 2:
-For ceilings with 6 lights with back up for all six lights.

Connect the barrel connectors as shown in the schematic below

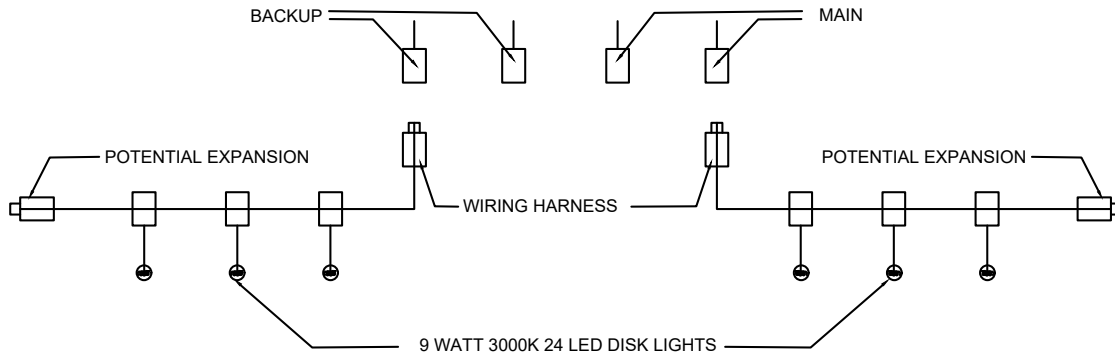
- c) Lighting option 3: for larger cars the "ECR Sure Light 1000" is customizable for larger cars

-the unit is capable of running up to twelve 24V, 9 Watt LED disk lights and is able to provide emergency backup for up to six of those twelve lights.

Connect the barrel connectors as shown in the schematic below

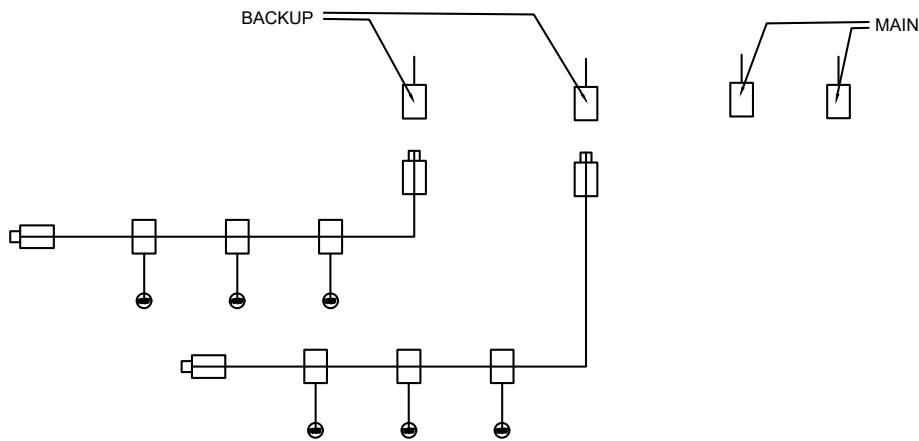
OPTION 1

6 LIGHTS TOTAL - 3 ON BACKUP



OPTION 2

6 LIGHTS TOTAL - 6 ON BACKUP



OPTION 3

12 LIGHTS TOTAL - 6 ON BACKUP

